

MEDIUM DUTY ANCHORS

TruBolt™ Stud Anchors



The true to size medium duty anchor

The TruBolt™ stud anchor is a true to size, torque controlled expansion anchor.

Product Advantages

- Load assisted through fixing
- Anti-rotation expansion sleeve
- Drill bit required is same diameter as anchor
- Expansion sleeve design ensures maximum expansion
- Fully assembled
- Maximum shear capacity for hole size as the stud diameter equals the hole diameter

Substrates

- Concrete
- Solid Brickwork

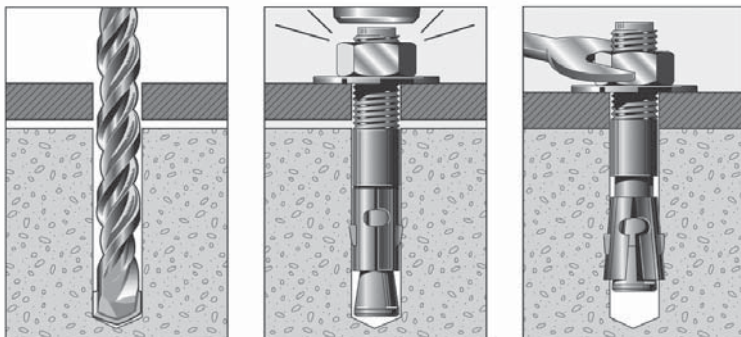
Typical Applications

- Structural beams and columns
- Wall to floor framework
- Steel to concrete
- Pallet racking and guards
- Lift rails
- Stadium seating
- Safety barriers

Specifications

TruBolt™ is a medium duty, torque setting expansion anchor for permanent anchoring into solid substrates, such as concrete

Installation



1. Drill the correct diameter hole to the same diameter as the TruBolt™ stud anchor selected.
2. Remove debris from hole by blowing out with compressed air or hand held blow out pump.
3. Install the anchor in the hole with a hammer until washer seats on fixture.
4. Tighten bolt with a torque wrench to recommended assembly torque.

ANCHOR TECHNOLOGY

TruBolt™ Stud Anchors - Zinc Plated



Part No.	Description	Thread Ø	Max Fixture Thickness (mm)	Anchor / Hole Ø (mm)	Min Hole Depth (mm)	Order Qty
7C-T060-55VV	T06055 TruBolt M6x55mm	M6	8	6	45	100
7C-T060-85VV	T06085 TruBolt M6x85mm	M6	38	6	45	100
7C-T061-20VV	T06120 TruBolt M6x120mm	M6	73	6	45	100
7C-T080-65VV	T08065 TruBolt M8x65mm	M8	10	8	50	100
7C-T080-90VV	T08090 TruBolt M8x90mm	M8	35	8	50	50
7C-T081-20VV	T08120 TruBolt M8x120mm	M8	65	8	50	50
7C-T100-75VV	T10075 TruBolt M10x75mm	M10	10	10	60	50
7C-T100-90VV	T10090 TruBolt M10x90mm	M10	25	10	60	50
7C-T101-20VV	T10120 TruBolt M10x120mm	M10	55	10	60	50
7C-T120-80VV	T12080 TruBolt M12x80mm	M12	8	12	70	50
7C-T121-00VV	T12100 TruBolt M12x100mm	M12	21	12	70	25
7C-T121-20VV	T12120 TruBolt M12x120mm	M12	43	12	70	25
7C-T121-40VV	T12140 TruBolt M12x140mm	M12	61	12	70	25
7C-T121-80VV	T12180 TruBolt M12x180mm	M12	101	12	70	25
7C-T161-00VV	T16100 TruBolt M16x100mm	M16	3	16	90	10
7C-T161-25VV	T16125 TruBolt M16x125mm	M16	21	16	90	10
7C-T161-50VV	T16150 TruBolt M16x150mm	M16	46	16	90	10
7C-T161-75VV	T16175 TruBolt M16x175mm	M16	71	16	90	10
7C-T201-20VV	T20120 TruBolt M20x120mm	M20	7	20	105	10
7C-T201-60VV	T20160 TruBolt M20x160mm	M20	37	20	105	10
7C-T202-15VV	T20215 TruBolt M20x215mm	M20	92	20	105	5

TruBolt™ Stud Anchors - Stainless Steel SUS316



Part No.	Description	Thread Ø	Max Fixture Thickness (mm)	Anchor / Hole Ø (mm)	Min Hole Depth (mm)	Order Qty
7D-T060-55SS	T06055SS TruBolt S/S M6x55mm	M6	8	6	45	100
7D-T060-85SS	T06085SS TruBolt S/S M6x85mm	M6	38	6	45	100
7D-T080-65SS	T08065SS TruBolt S/S M8x65mm	M8	10	8	50	100
7D-T080-90SS	T08090SS TruBolt S/S M8x90mm	M8	35	8	50	50
7D-T081-20SS	T08120SS TruBolt S/S M8x120mm	M8	65	8	50	50
7D-T100-75SS	T10075SS TruBolt S/S M10x75mm	M10	10	10	60	50
7D-T100-90SS	T10090SS TruBolt S/S M10x90mm	M10	25	10	60	50
7D-T101-20SS	T10120SS TruBolt S/S M10x120mm	M10	55	10	60	20
7D-T120-80SS	T12080SS TruBolt S/S M12x80mm	M12	8	12	70	20
7D-T121-00SS	T12100SS TruBolt S/S M12x100mm	M12	21	12	70	20
7D-T121-20SS	T12120SS TruBolt S/S M12x120mm	M12	43	12	70	20
7D-T121-40SS	T12140SS TruBolt S/S M12x140mm	M12	61	12	70	20
7D-T161-00SS	T16100SS TruBolt S/S M16x100mm	M16	3	16	90	20
7D-T161-25SS	T16125SS TruBolt S/S M16x125mm	M16	21	16	90	20
7D-T161-50SS	T16150SS TruBolt S/S M16x150mm	M16	46	16	90	20
7D-T161-75SS	T16175SS TruBolt S/S M16x175mm	M16	71	16	90	20
7D-T201-20SS	T20120SS TruBolt S/S M20x120mm	M20	7	20	105	10
7D-T201-60SS	T20160SS TruBolt S/S M20x160mm	M20	37	20	105	10

MEDIUM DUTY ANCHORS

TruBolt™ Anchors - Hot Dipped Galvanized



Part No.	Description	Thread Ø	Max Fixture Thickness (mm)	Anchor / Hole Ø (mm)	Min Hole Depth (mm)	Order Qty
7C-T080-90GH	T08090GH TruBolt Galv M8x90mm	M8	35	8	50	50
7C-T100-90GH	T10090GH TruBolt Galv M10x90mm	M10	25	10	60	50
7C-T120-80GH	T12080GH TruBolt Galv M12x80mm	M12	8	12	70	50
7C-T121-00GH	T12100GH TruBolt Galv M12x100mm	M12	21	12	70	20
7C-T121-40GH	T12140GH TruBolt Galv M12x140mm	M12	61	12	70	20
7C-T121-80GH	T12180GH TruBolt Galv M12x180mm	M12	101	12	70	20
7C-T161-00GH	T16100GH TruBolt Galv M16x100mm	M16	3	16	90	20
7C-T161-25GH	T16125GH TruBolt Galv M16x125mm	M16	21	16	90	20
7C-T161-50GH	T16150GH TruBolt Galv M16x150mm	M16	46	16	90	20
7C-T161-75GH	T16175GH TruBolt Galv M16x175mm	M16	71	16	90	20
7C-T201-20GH	T20120GH TruBolt Galv M20x120mm	M20	7	20	105	10
7C-T201-60GH	T20160GH TruBolt Galv M20x160mm	M20	37	20	105	10
7C-T202-15GH	T20215GH TruBolt Galv M20x215mm	M20	92	20	105	10

TruBolt™- Zinc Plated - Indicative Design Loads in Concrete

Thread Ø	Anchor Depth (mm)	Torque (Nm)	Anchor Spacing (mm)	Edge Distance (mm)	Shear Load (kN)*	Tension Load (kN)*
M6	40	10	90	40	3.8	3.4
M8	48	20	105	55	6.5	9.1
M10	50	35	125	75	9.0	11.9
M12	70	50	150	100	11.4	18.0
M16	84	155	195	100	19.2	27.8
M20	103	220	235	115	29.9	41.0

Indicative design load (kN) in 30N/mm² concrete

* Refer to Ramset™ Technical Engineer for more information or explanation of technical data

TruBolt™- Stainless Steel SUS316 - Indicative Design Loads in Concrete

Thread Ø	Anchor Depth (mm)	Torque (Nm)	Anchor Spacing (mm)	Edge Distance (mm)	Shear Load (kN)*	Tension Load (kN)*
M6	40	10	90	40	2.7	3.4
M8	48	20	105	55	5.2	7.0
M10	50	35	125	75	9.0	7.1
M12	70	50	150	100	12.6	12.4
M16	84	155	195	100	31.1	22.8
M20	103	220	235	115	48.6	25.3

Indicative design load (kN) in 30N/mm² concrete

* Refer to Ramset™ Technical Engineer for more information or explanation of technical data